

200-230V 50 / 208-230V 60Hz 1~



### GENERAL DATA

**Application:** HBP  
**Refrigerant:** R422D  
**Evaporating Temperature Range:** -15°C to 10°C  
**Compressor Cooling:** Fan  
**Fan air flow:** 520 m<sup>3</sup>/h  
**Type:** Hermetic reciprocating  
**Technology Type:** On-Off  
**Expansion Device:** Capillary Tube or Expansion Valve  
**Packing Quantity:** Single - 1 pc  
**Displacement:** 12.11 cm<sup>3</sup>  
**Horse power:** 1.2 hp

Approvals:  

### MECHANICAL DATA

**Bore:** 27.78 mm  
**Stroke:** 20 mm  
**Oil Charge:** 350ml +/-15ml  
**Free Internal Volume:** 2.1 cm<sup>3</sup>  
**Maximum Recommended Refrigerant Charge:** 350 g  
**Oil Type Configuration:** Alkylbenzene  
**Oil Type Viscosity:** ISO46  
**Compressor pressurization:** Without dry air charge  
**Weight:** 12.4 kg

### ELECTRICAL DATA

**Motor Type:** CSR  
**Starting Torque:** HST  
**Voltage working range at 50 Hz:** 180-244 V  
**Voltage working range at 60 Hz:** 187-244 V  
**Maximum Motor Temperature:** 130 °C  
**Start Winding Resistance:** 10.9 Ω (± 10%) at 25°C  
**Run Winding Resistance:** 3.59 Ω (± 10%) at 25°C  
**Locked Rotor Amperage (LRA):** 25 A

### MOUNTING ACCESSORIES

	Description	Code
<b>Terminal Board:</b>	no	-
<b>Anchorage:</b>	no	-
<b>Capacitor Bracket:</b>	no	-
<b>Washer:</b>	no	-
<b>Pin:</b>	no	-
<b>Clip:</b>	no	-
<b>Rotolock valve:</b>	no	-
<b>Grommets:</b>	yes	2221011
<b>Sleeves:</b>	yes	2222018
<b>Overload Protector Bracket:</b>	yes	2075299
<b>Cover:</b>	yes	2075278

### ELECTRICAL COMPONENTS

	Component type	Description	Code
<b>Starting Device:</b>	Potential relay	RVA4AL3C-649	1253015
<b>Start Capacitor:</b>		108-130 MFD 330V	2252271
<b>Run Capacitor:</b>		10 MFD	2253316
<b>Motor Protection:</b>	External 3/4"	MRA38168-3261	2321153
<b>CSR / CSIR Box:</b>	yes		1272417

### EXTERNAL CHARACTERISTICS

**Base Plate:** European  
**Tray Holder:** No  
**Height:** 206 mm

	Internal Diameter (mm)	Material	Shape
<b>Suction Connector</b>	8.1	Copper	Slanted 42°
<b>Discharge Connector</b>	6.1	Copper	Straight
<b>Process Connector</b>	6.1	Copper	Slanted 42°

**RATED POINT DATA**

Cooling Capacity (W)	Power Consumption (W)	Current Consumption (A)	Gas Flow Rate (kg/h)	Efficiency (W/W)
±5%	±5%	±5%	±5%	±7%
1 980	910	4.53	0.00	2.18

Test condition: ASHRAE, Fan, Return Gas 35°C, Subcooling 8.3K, Evaporating: 7.2°C, Condensing: 54°C, Ambient: 35°C

**PERFORMANCE CURVE DATA**

**200V 50Hz**

Condensing Temperature (°C)	Evaporating Temperature (°C)	Cooling Capacity (W)	Power Consumption (W)	Current Consumption (A)	Gas Flow Rate (kg/h)	Efficiency (W/W)
		±5%	±5%	±5%	±5%	±7%
<b>35°C</b>	10	2 798	857	4.26	0.00	3.26
	5	2 379	763	3.81	0.00	3.12
	0	1 999	678	3.40	0.00	2.95
	-5	1 657	602	3.03	0.00	2.75
	-10	1 354	536	2.70	0.00	2.53
	-15	1 089	479	2.41	0.00	2.27

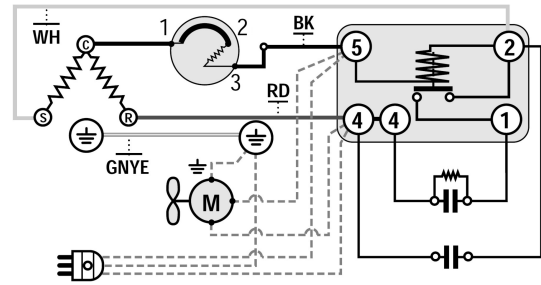
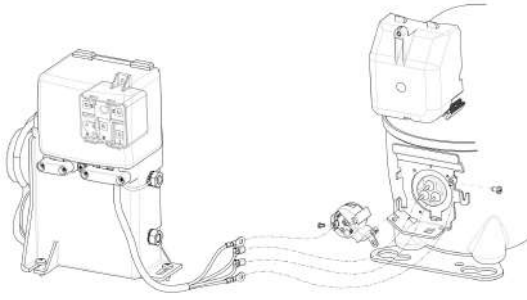
Condensing Temperature (°C)	Evaporating Temperature (°C)	Cooling Capacity (W)	Power Consumption (W)	Current Consumption (A)	Gas Flow Rate (kg/h)	Efficiency (W/W)
		±5%	±5%	±5%	±5%	±7%
<b>45°C</b>	10	2 489	907	4.51	0.00	2.74
	5	2 110	811	4.03	0.00	2.60
	0	1 767	723	3.60	0.00	2.44
	-5	1 459	644	3.21	0.00	2.27
	-10	1 187	573	2.86	0.00	2.07
	-15	950	510	2.56	0.00	1.86

Condensing Temperature (°C)	Evaporating Temperature (°C)	Cooling Capacity (W)	Power Consumption (W)	Current Consumption (A)	Gas Flow Rate (kg/h)	Efficiency (W/W)
		±5%	±5%	±5%	±5%	±7%
<b>55°C</b>	10	2 135	976	4.86	0.00	2.19
	5	1 804	872	4.34	0.00	2.07
	0	1 505	776	3.86	0.00	1.94
	-5	1 238	688	3.42	0.00	1.80
	-10	1 004	607	3.03	0.00	1.65

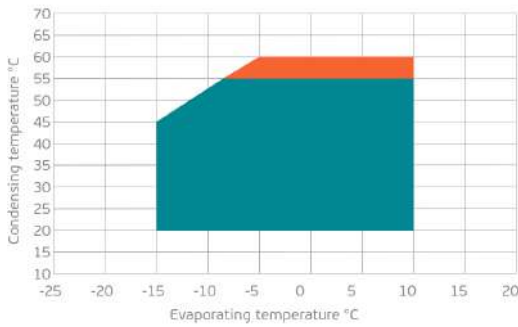
Test condition: ASHRAE, Fan, Return Gas 35°C, Subcooling 8.3K, Ambient: 35°C

**ASSEMBLY INSTRUCTION**

**WIRING DIAGRAM**

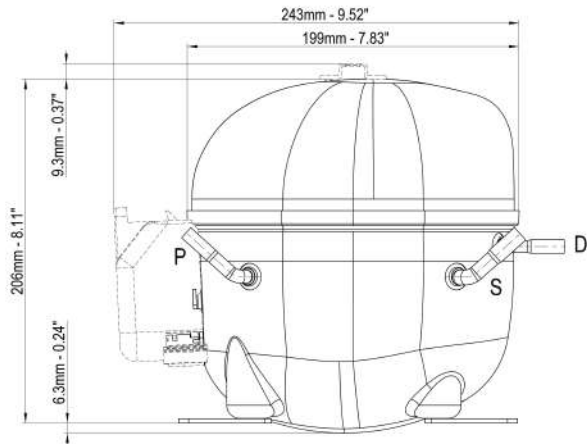


**OPERATING ENVELOPE**

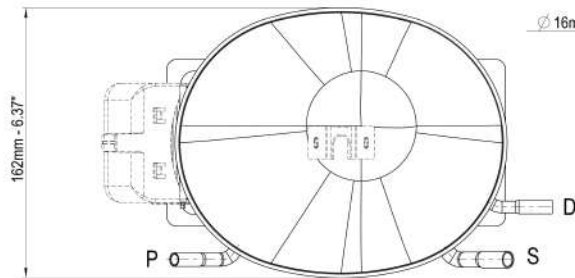


- Operating Condition
- Transient Condition
- Superheating

**NOTE:** usage of compressors outside of intended working range cannot make use of the warranty, or should be consulted with Technical support.



	∅ mm	∅ in	Material
<b>S - Suction</b>	8.10 - 8.20	0.32	Cu
<b>P - Process</b>	6.10 - 6.20	0.24	Cu
<b>D - Discharge</b>	6.10 - 6.20	0.24	Cu



∅ 16mm - 0.63" (x6)

