

220-240V 50 1~**GENERAL DATA****Application:** HBP**Refrigerant:** R134a**Evaporating Temperature Range:** -15°C to 10°C**Compressor Cooling:** Fan**Fan air flow:** 800 m³/h**Type:** Hermetic reciprocating**Technology Type:** On-Off**Expansion Device:** Capillary Tube or Expansion Valve**Packing Quantity:** Single - 1 pc**Displacement:** 34.4 cm³**Horse power:** 1 hpApprovals:     

Bore: 42.85 mm
Stroke: 23.85 mm
Oil Charge: 750ml +/-15ml
Free Internal Volume: 3.9 cm³
Maximum Recommended Refrigerant Charge: 800 g
Oil Type Configuration: Polyolester
Oil Type Viscosity: ISO22
Compressor pressurization: Dry air charge
Weight: 20.5 kg

Motor Type: CSR
Starting Torque: HST
Voltage working range at 50 Hz: 198-254 V
Maximum Motor Temperature: 130 °C
Start Winding Resistance: 8.7 Ω (± 10%) at 25°C
Run Winding Resistance: 2 Ω (± 10%) at 25°C

MOUNTING ACCESSORIES

	Description	Code
Cover:	yes	2075281
Terminal Board:	no	-
Anchorage:	no	-
Overload Protector Bracket:	no	-
Capacitor Bracket:	no	-
Grommets:	yes	2221004
Sleeves:	yes	2222016
Washer:	no	-
Pin:	no	-
Clip:	no	-
Rotolock valve:	flare 5/8"	2110002

ELECTRICAL COMPONENTS

	Component type	Description	Code
Starting Device:	Potential relay	RVA4M3C-109	1253012
Motor Protection:	External 3/4"	T0335/C9	2289022
Start Capacitor:		72-88 MFD 330V	2252270
Run Capacitor:		17.5 MFD	2253311
CSR / CSIR Box:	yes		1262273

EXTERNAL CHARACTERISTICS

Base Plate: Large
Tray Holder: No
Height: 253 mm

	Internal Diameter (mm)	Material	Shape
Suction Connector	12.77	Steel	ROTOLOCK 1"-14UNS-2A
Discharge Connector	8	Copper	Slanted 65°
Process Connector	6.42	Copper	Vertical



RATED POINT DATA

Cooling Capacity (W)	Power Consumption (W)	Current Consumption (A)	Gas Flow Rate (kg/h)	Efficiency (W/W)
±5%	±5%	±5%	±5%	±7%
2 607	1 153	5.50	65.41	2.26

Test condition: EN 12900, Fan, Return Gas 20°C, Subcooling OK, Evaporating: 5°C, Condensing: 50°C, Ambient: 35°C

PERFORMANCE CURVE DATA

220V 50Hz

Condensing Temperature (°C)	Evaporating Temperature (°C)	Cooling Capacity (W)	Power Consumption (W)	Current Consumption (A)	Gas Flow Rate (kg/h)	Efficiency (W/W)
		±5%	±5%	±5%	±5%	±7%
35°C	10	4 003	1 101	5.17	87.54	3.64
	5	3 345	1 009	4.86	72.48	3.32
	0	2 770	927	4.56	59.57	2.99
	-5	2 267	851	4.26	48.47	2.66
	-10	1 825	776	3.97	38.83	2.35
	-15	1 433	697	3.68	30.31	2.06

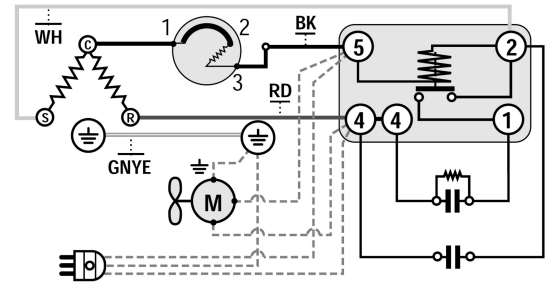
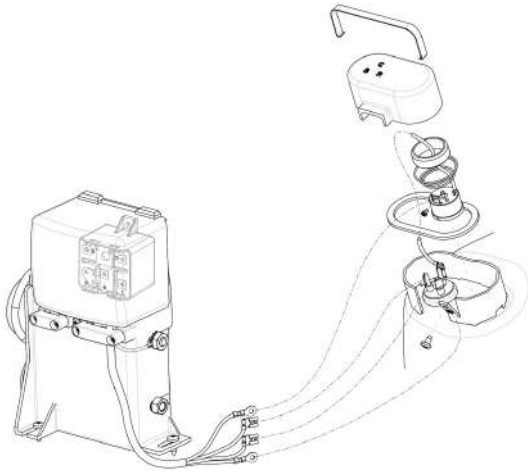
Condensing Temperature (°C)	Evaporating Temperature (°C)	Cooling Capacity (W)	Power Consumption (W)	Current Consumption (A)	Gas Flow Rate (kg/h)	Efficiency (W/W)
		±5%	±5%	±5%	±5%	±7%
45°C	10	3 435	1 216	5.70	82.59	2.82
	5	2 849	1 109	5.29	67.84	2.57
	0	2 338	1 010	4.88	55.21	2.31
	-5	1 891	916	4.48	44.34	2.07
	-10	1 496	820	4.10	34.89	1.82
	-15	1 143	720	3.72	26.51	1.59

Condensing Temperature (°C)	Evaporating Temperature (°C)	Cooling Capacity (W)	Power Consumption (W)	Current Consumption (A)	Gas Flow Rate (kg/h)	Efficiency (W/W)
		±5%	±5%	±5%	±5%	±7%
55°C	10	2 883	1 321	6.25	77.34	2.18
	5	2 369	1 194	5.72	62.90	1.98
	0	1 921	1 073	5.21	50.53	1.79
	-5	1 529	955	4.71	39.88	1.60
	-10	1 181	835	4.23	30.61	1.41

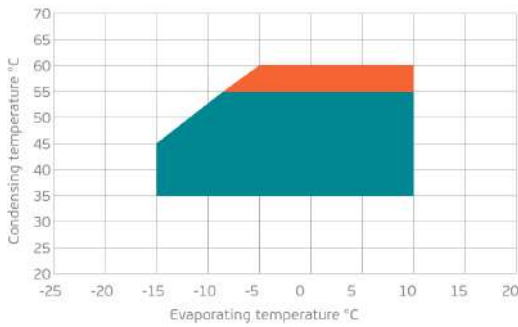
Test condition: EN 12900, Fan, Return Gas 20°C, Subcooling OK, Ambient: 35°C

ASSEMBLY INSTRUCTION

WIRING DIAGRAM

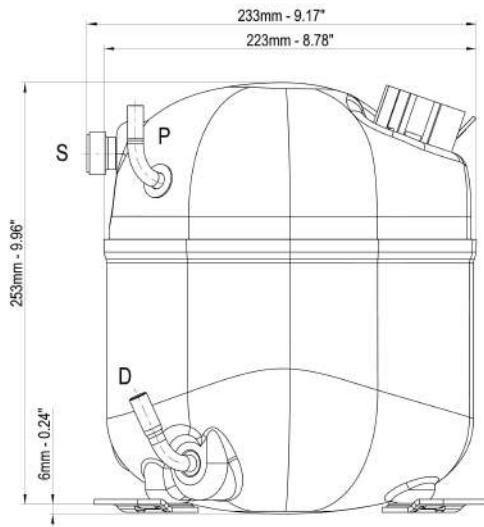


OPERATING ENVELOPE



- Operating Condition
- Transient Condition
- Superheating

NOTE: usage of compressors outside of intended working range cannot make use of the warranty, or should be consulted with Technical support.



	∅ mm	∅ in	Material
S - Suction	12.77 - 12.85	0.50	Cu
P - Process	6.42 - 6.50	0.25	Cu
D - Discharge	8.00 - 8.07	0.31	Cu

